

# ADDRESSABLE SOUNDER BBR-200

## Interactive fire detection systems Product Datasheet

### Features

- Addressable
- Loop powered
- High sound output
- Synchronized phased start
- Short-circuit isolator in each unit
- Automatic addressing
- Intended for connection to Autronica's interactive fire detection systems
- Configurable sound pattern

### Description

**BBR-200** is an addressable sounder to be connected to the detector loop. The sounder is loop powered, giving low installation cost.

**BBR-200** features very low current consumption, and wide operating voltage range. The sound output/current consumption ratio is extremely good, and typical output at 27VDC is 100dB(A) at one metre. At 14VDC the sound output is 93dB(A).

The sounder can produce 16 different advanced sound patterns, 14 configurable from the system and two fixed. Each pattern can consist of up to 16 steps, with fixed duration of 0.5 seconds per step. The time between each cycle is configurable from 0-254 seconds. All sounders within the same loop will have synchronized sound outputs, so two sounders located near each other will be perceived as one. The sounder continuously monitors the loop voltage, and posts a message to the system when the voltage is too low to give acceptable sound output.

### Applications

The BBR-200 has two different degrees of protection. Standard version is designed for internal use, and is suitable for sleeping areas, etc.

The BBR-200/IP is suitable outdoors and in applications that require degree of protection up to IP66. Because it can be installed directly on the detector loop, it will give low installation cost, not needing extra wiring for an alarm-bell circuit.

Typical applications include:

- Bedrooms
- Hospital rooms
- Hotel rooms
- Cabins
- Corridors

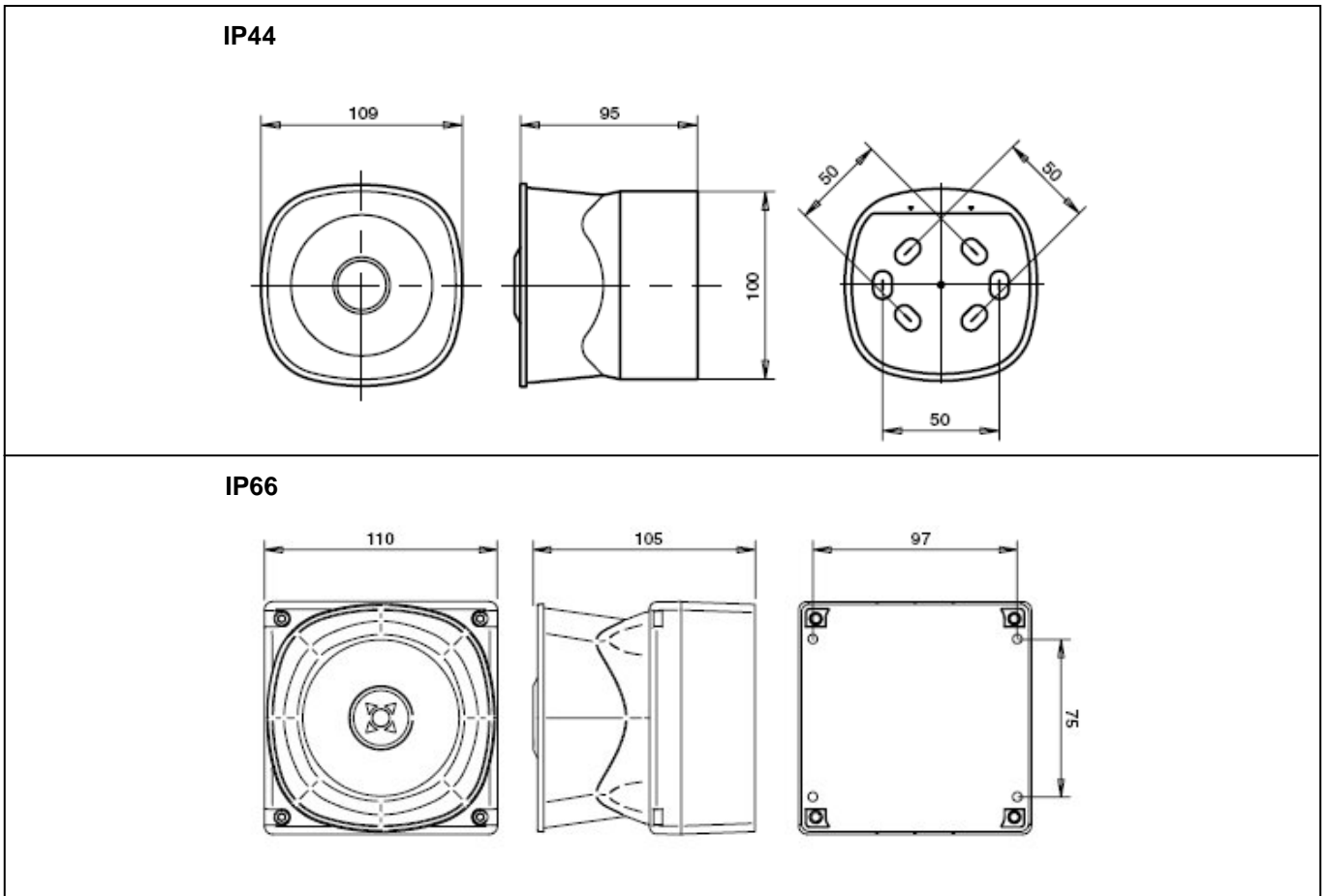


### Technical Specifications

	BBR-200	BBR-200 IP
Weight	240g	320g
Materials	ABS Plastic Housing	
Colour	Red	
Operating voltage range (detector loop)	14 - 27VDC	
Current consumption, idle	0.3mA	
Current consumption, activated	5mA at 27VDC	
Sound output at one meter	100dB(A) at 27VDC	
Drive frequency	990Hz	
Degree of protection	IP44	IP66
Operating temperature	-25°C to +70°C	
Maintenance	None	
Service	Replace if faulty	
Environment	According to EN-54	

Part number	Description
116-BBR-200	Addressable sounder
116-BBR-200/W	Addressable sounder, white
116-BBR-200/NL	Addressable sounder w/ slow whoop
116-BBR-200/IP	Addressable sounder IP66
116-BBR-200IP/NL	Addressable sounder w/ slow whoop IP66

**Dimensions**



**Connections**

